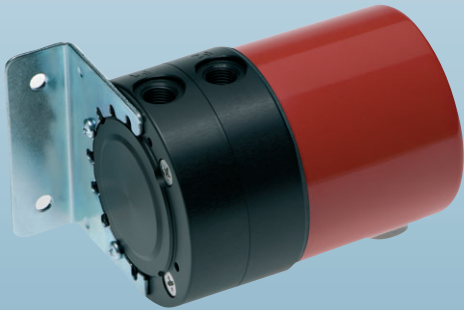




Pressure transmitter



Huba Control

Relative and differential pressure transmitter - Type 652

Type 652 pressure transmitters are ideally suited to the continuous monitoring of liquid or level, (especially in heating technology).

Their especially rugged construction allows a single port overpressure of up to 20 bar, depending upon pressure range.

Pressure range
0 ... 50 – 1000 mbar

- + High overpressure safety margin 10/20 bar on P1
- + 3 standardised output signals for direct Processing in control / monitoring systems
- + Functionally simple, rugged mechanics with high operating reliability
- + Attractive price / performance ratio
- + Also for slightly aggressive liquids and gases

Technical overview

Pressure range

Relative and differential 0 ... 50 – 1000 mbar

Operating conditions

Medium		Liquids and neutral gases
Temperature	NBR-based	0 ... +80 °C
	FPM	-10 ... +80 °C
	EPDM	-10 ... +80 °C
	Q (Silicone)	-40 ... +80 °C
	Storage	-40 ... +80 °C
Tolerable overload and max. tolerable system pressure (P1 > P2)	≤ 200 mbar	10 bar
Rupture pressure	≥ 500 mbar	20 bar
		30 bar

Materials in contact with the medium

Diaphragm	NBR-based	
	EPDM	
	FPM	
	Silicon	
Case	Anodized aluminium	
	Brass	
	Brass chemical nickel-plated	
Other components	X14CrMoS17	1.4104
	X5CrNi18-10	1.4301
	X10CrNi18-8	1.4310
	X2CrNiMoN	1.4462
	Steel category A2 for screws	
	Polyacetate-C, Polyamide	

Electrical overview

Output (3 wire)		0 ... 10 V
		4 ... 20 mA
Power supply		20 ... 30 VDC / 24 VAC +15% / -10%
Load	Current load	≤ 300 Ohm
	Voltage load	≥ 10 kOhm
Current consumption	0 ... 10 V	35 mA
	4 ... 20 mA	max. 55 mA
Polarity reversal protection		Short circuit proof and with polarity reversal protection

Dynamic response

Response time	< 10 ms
Load cycle	< 10 Hz

Protection standard

With plastic cover (PG9) IP 65

Electrical connection

Screw terminals

Pressure connection (P1 > P2)

Inside thread		G ½
Straight screwed connection	Zinc plated steel with NBR seal for pipe (Ø 6 mm)	G ½
Screwed Socket	CuZn nickel plated for tube(Ø 6 mm)	G ½

Installation arrangement

Unrestricted. Recommendation: The transmitter is calibrated in the factory with the diaphragm positioned vertically. In the case of liquid media vent screw up, i.e. pressure connection down

Tests / Admissions

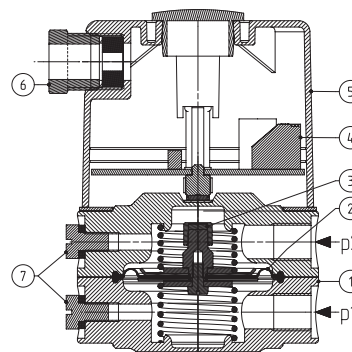
Electromagnetic compatibility CE conformity acc. EN 61326-2-3

Weight

With aluminium pressure case	~ 394 g
With brass pressure case	~ 1030 g

Packaging

Single packaging in cardboard



Legend to cross-section drawing

- 1 Pressure case
- 2 Diaphragm
- 3 Permanent magnet
- 4 Electronics
- 5 Cover
- 6 PG9 Union
- 7 Vent
- P1 Higher pressure / lower vacuum
- P2 Lower pressure / higher vacuum

Accuracy

Parameter	Unit		
Tolerance zero point	max.	% fs	± 1.0
Tolerance full scale	max.	% fs	± 1.0
Resolution		% fs	± 0.2
Total of linearity, hysteresis and repeatability	max.	% fs	± 1.5
TC zero point ¹⁾	max.	% fs/10K	± 0.8
TC sensitivity ¹⁾	typ.	% fs/10K	± 0.3
TC sensitivity ¹⁾	max.	% fs/10K	± 0.6

Test conditions: 25 °C, 45% RH, power supply 24 VDC

Order code selection table

		1	2	3	4	5	6	7	8	9	10	11
		652.	X	X	X	X	X	X	X	X	X	X
Pressure ranges ²⁾	0 ... 50 mbar	9	0									
	0 ... 100 mbar	9	1									
	0 ... 200 mbar	9	2									
	0 ... 500 mbar	9	3									
	0 ... 1000 mbar	9	4									
Output ³⁾	0 ... 10 V				0							
	4 ... 20 mA			4								
Linearity	± 1.5% FS				1							
Power supply (IN)	20 ... 30 VDC / 24 VAC +15% / -10%					0						
Electrical connection	Screw terminals (Protection class with cover IP 65)						0					
	Inside thread G 1/8							0				
Pressure connections	Straight screwed connection G 1/8 for pipe (Ø 6 mm)							1				
	Screwed socket G 1/8 for tube (Ø 6 mm)							2				
	Anodized aluminium black								0			
Pressure case	Brass								1			
	Nickel-plated brass								2			
	NBR-based									0		
Diaphragme	FPM									1		
	EPDM									2		
	Q (Silicon)									3		
	Without mounting bracket										0	0
Mounting	With mounting bracket type A										0	1
	With mounting bracket type B										0	2

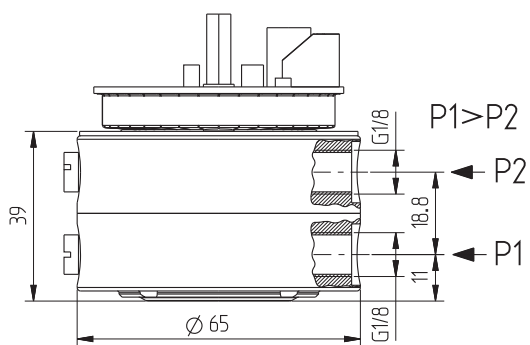
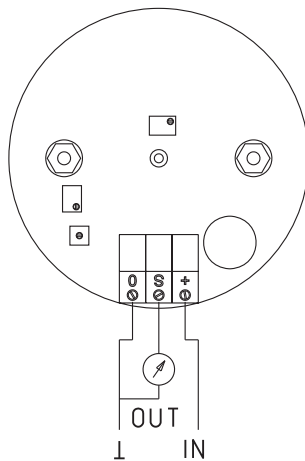
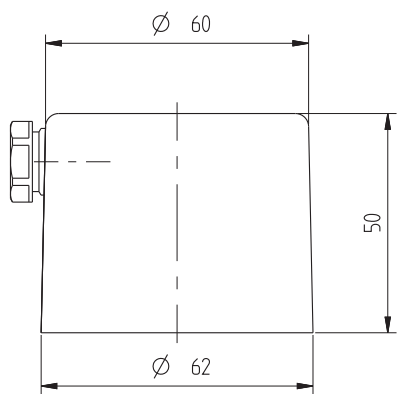
Accessories *(supplied loose)*

	Order number
Mounting bracket type A	100996
Mounting bracket type B	100997
Straight screwed connection G 1/8 for pipe (Ø 6 mm)	105860
Screwed Socket G 1/8 for tube (Ø 6 mm)	108239
Calibration certificate	104551

¹⁾ TC = Temperature coefficient

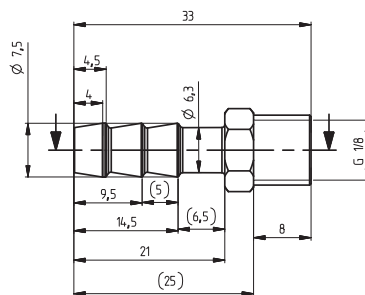
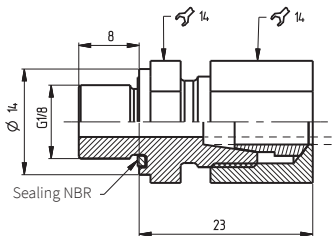
²⁾ Other pressure range on request

³⁾ Other output signals on request



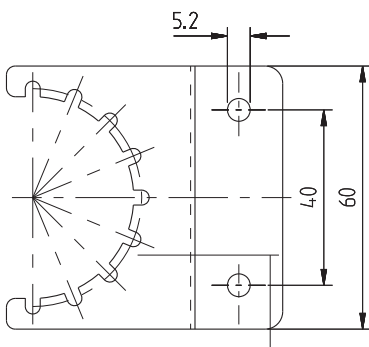
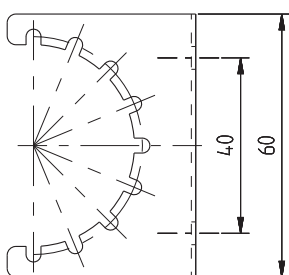
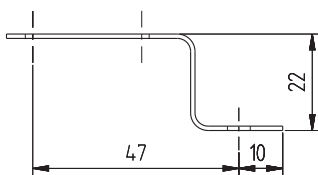
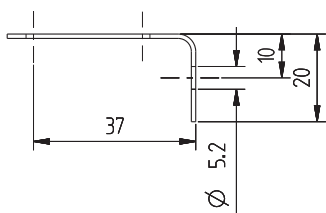
Straight screwed connector $G \frac{1}{8}$

Screwed Socket $G \frac{1}{8}$



Mounting bracket type A

Mounting bracket type B



Huba Control AG

Headquarters Schweiz
Industriestrasse 17
CH-5436 Würenlos
Telefon +41 56 436 82 00
Fax +41 56 436 82 82
info.ch@hubacontrol.com

Huba Control AG

Vestiging Nederland
Hamseweg 20A
NL-3828 AD-Hoogland
Telefoon +31 33 433 03 66
Telefax +31 33 433 03 77
info.nl@hubacontrol.com

Huba Control AG

Niederlassung Deutschland
Schlattgrabenstrasse 24
D-72141 Walddorfhäslach
Telefon +49 7127 2393 00
Fax +49 7127 2393 20
info.de@hubacontrol.com

Huba Control USA, Inc.

Office United States of America
303 Wyman Street
Suite #300
Waltham MA 02451
Tel: +1 866-6HUBACO (+1 866-648-2226)
info.usa@hubacontrol.com

Huba Control SA

Succursale France
Rue Lavoisier
Technopôle Forbach-Sud
F-57602 Forbach Cedex
Téléphone +33 3 87 84 73 00
Télécopieur +33 3 87 84 73 01
info.fr@hubacontrol.com

Huba Control AG

Branch Office United Kingdom
Unit 13 Berkshire House, County Park Business
Centre, Shrivenham Road
Swindon Wiltshire SN1 2NR
Phone +44 1993 77 66 67
Fax +44 1993 77 66 71
info.uk@hubacontrol.com

www.hubacontrol.com

