



### Description :

GRS-800-P is ideal sensor for non-contact level measurement in simple applications. Weight only 400g. It's particularly suitable for open channel .

### Application :

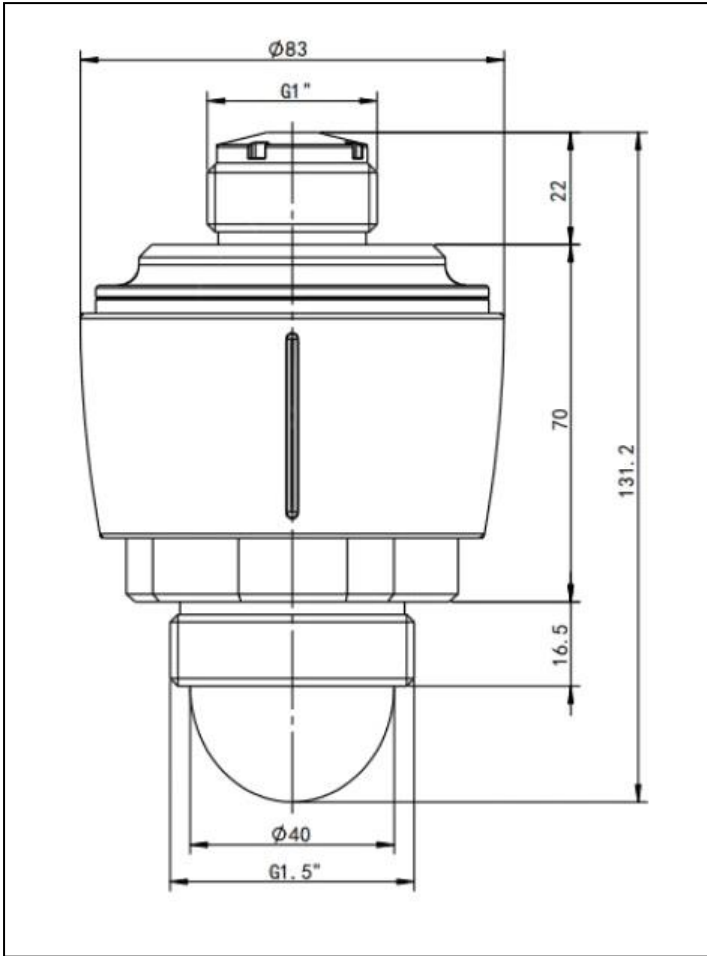
- Water – Wastewater field
- Rain basins
- Flume
- Dam level monitoring
- Some liquid tanks and containers

### Feature :

- High frequency : 80 GHz, more focus
- Accuracy  $\pm 2\text{mm}$  ( Liquid )
- Measuring range : up to 30m
- Small emitting angle :  $\pm 3.5^\circ$
- Thread connection : G1.5, customized flange




## Dimension :



**Mobile APP : RadarMe – For Bluetooth communication download the RadarMe application from Google play**



## Specification :

Model	GRS-800-P
Product Type	Radar Level Transmitter
Application	 <ul style="list-style-type: none"><li>- Open Channel water measurement</li><li>- Standard Liquid measurement</li></ul>
Frequency	77 GHz-81GHz
Measurement Range	Liquid : 10M- 20M – 30M
Accuracy	±2mm
Beam Angle	±3,5 °
Material	PP (polypropylene)
Process Connection	G1.5 Thread and flange (customized)
Process Temperature	-20°C to 60°C
Process Pressure	Normal atmospheric pressure
Signal Output	4-20mA / Modbus - RS485/ Bluetooth
Power	Two-wire DC 24V (22V~30V)
Protection	IP67
Weight	83mm X 128mm, Weight 400g

## Wiring Code :

Standard 5m cable length

Red	24V+
Black	4...20mA
Yellow	RS485
White	RS485



## Order Guide :

Model	Range	Output
GRS-800-P	10M	A
GRS-800-P	20M	A
GRS-800-P	30M	A