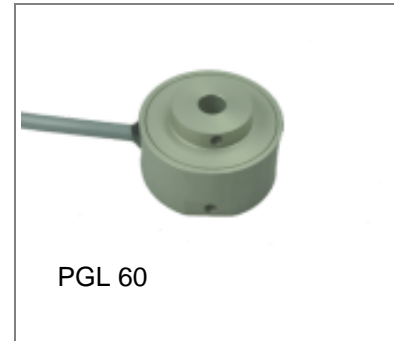


Hollow Shaft Single Turn Potentiometer
Model PGL 60
Ø 31 mm
25 000 000 Cycles
Conductive plastic



RESENZO
 SMARTER SENSING AND CONTROL

Options	
Linearity	0.5%, 0.25%
Resistance tolerance	+/- 10%
Connections	Cable with connector, Wires
Functions	Center tab, Switches



Electrical Characteristics		Mechanical Characteristics	
Resistance range	1- 10 kΩ	Rotational life	25'000'000 Cycles
Resistance tolerance	+/- 20%	mech. angle	20° - 348° / Continuous
el. angle	20° - 348°	Protection rating	IP 63
indep. Linearity	+/- 1%	Torque	typ. 0.7 cNm
Power rating	0.5 W / T _A 40°C		
rec. Wiper current	< 0.1 μA		
max. Wiper current	10 mA (malfunction)		
Wiper resistance	< 500 ohm (new)		
Isulation resistance	10 GΩ / 500 VDC		
Dielectric strength	1000 VAC / 1 min.		
Temperature coefficient	600ppm / °C		
TC of voltage divider	30ppm / °C		

Environmental Conditions		Material	
Storage temperature	-40°C ÷ +105°C	Housing	Aluminium anodized
Operating temperature	-25°C ÷ +85°C	Rotor	Aluminium anodized
Climatic rating	25/085/56	Connections	Cable 1m
Shock	50G		
Vibration	10G		

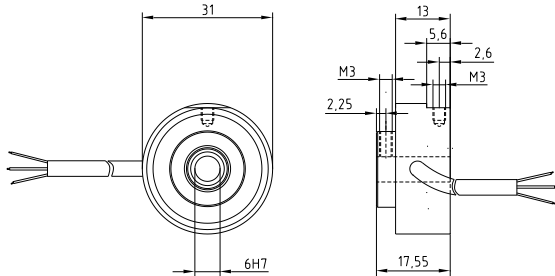
Hollow Shaft Single Turn Potentiometer
Model PGL 60
Ø 31 mm
25 000 000 Cycles
Conductive plastic



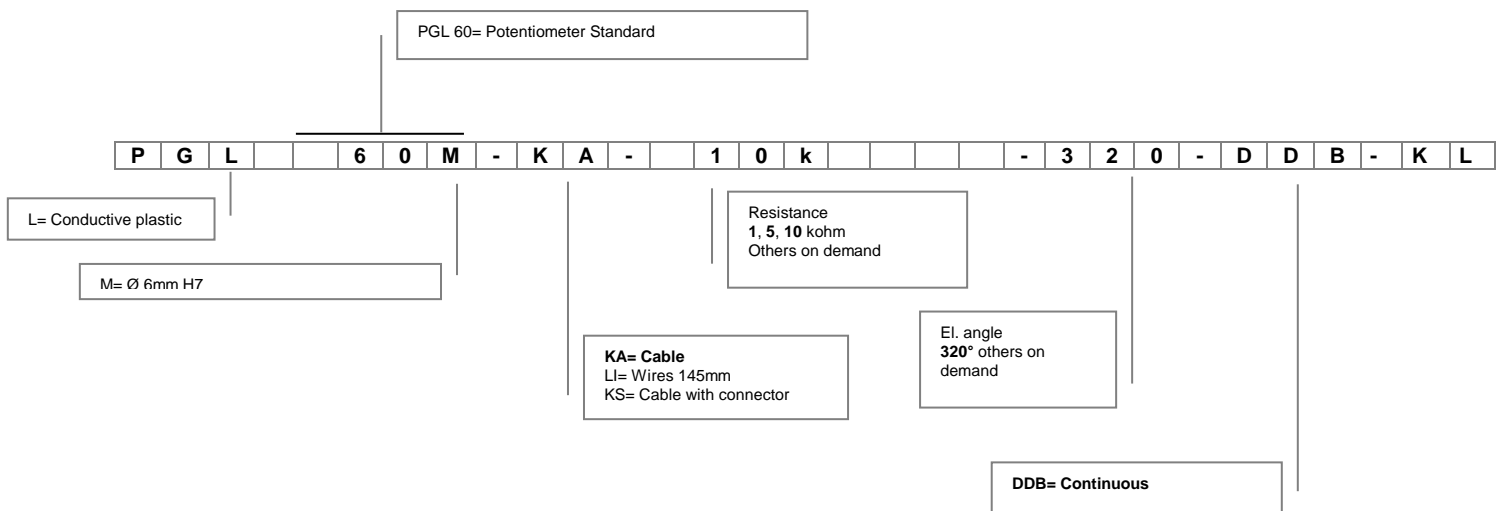
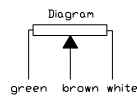
RESENZO
 SMARTER SENSING AND CONTROL

Standard models:

PGL 60 M - KA



Connecting diagram



Specifications are subject to change without notice