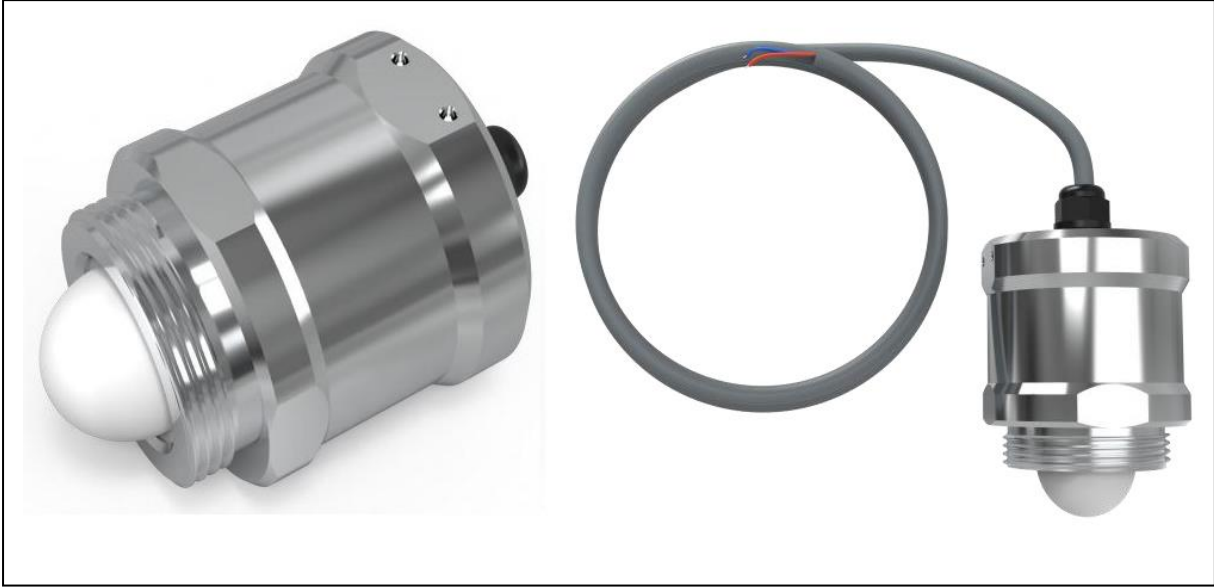


GRS-800-S RADAR LEVEL TRANSMITTER



Description :

GRS-800-S is ideal sensor for non-contact level measurement in simple applications. Weight only 400g. It's particularly suitable for open channel .

Application :

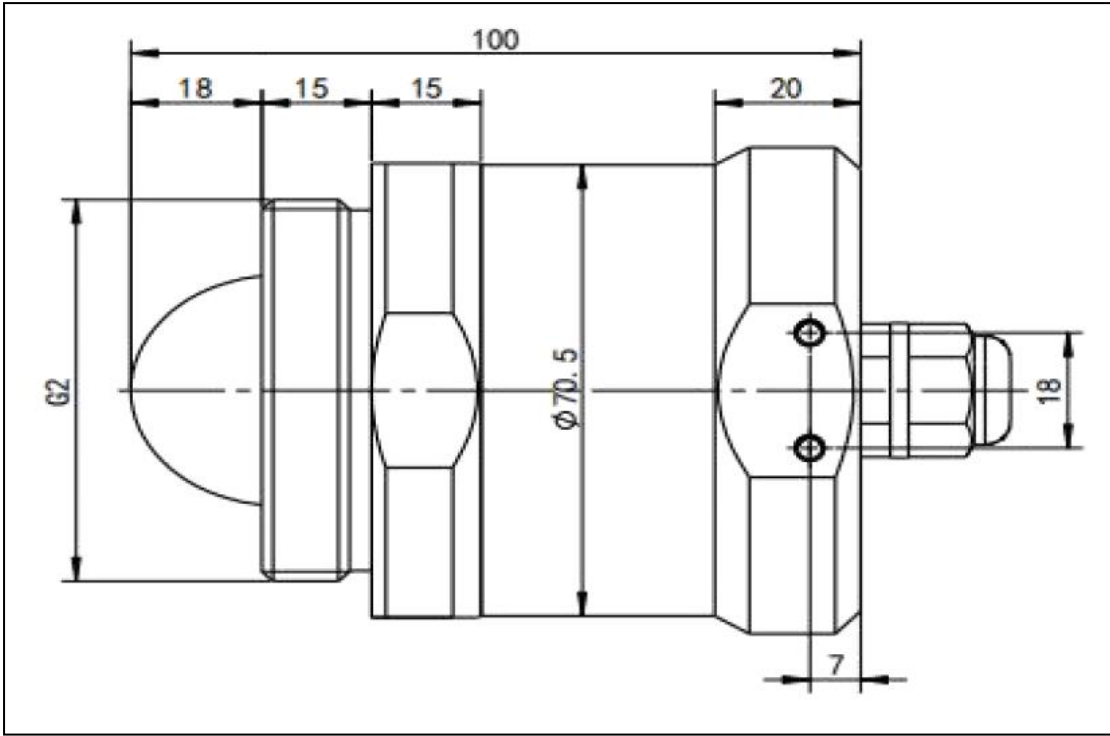
- Water – Wastewater field
- Rain basins
- Flume
- Dam level monitoring
- Some liquid tanks and containers



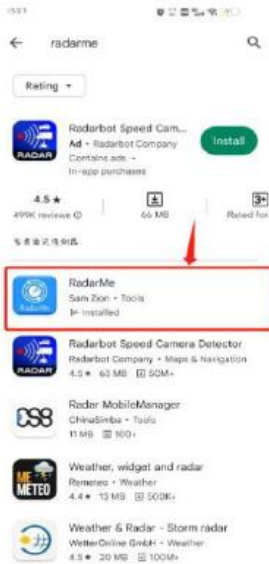
Feature :

- High frequency : 80 GHz, more focus
- Accuracy $\pm 2\text{mm}$ (Liquid)
- Measuring range : up to 30m
- Small emitting angle : $\pm 3.5^\circ$
- Thread connection : G2" Customized flange

Dimension :




Mobile APP : RadarMe – For Bluetooth communication download the RadarMe application from Google play



Parameter	Value
Material Level(m)	17.295
Distance(m)	2.705
Current(mA)	17.836
Percentage(%)	86.47
Running State	0
Update Time	2022/08/04 14:29:03

Specification :

Model	GRS-800-S
Product Type	Radar Level Transmitter
Application	 <ul style="list-style-type: none">- Open Channel water measurement- Standard Liquid measurement
Frequency	77 GHz-81GHz
Measurement Range	Liquid : 10M- 20M – 30M
Accuracy	±2mm for liquid
Beam Angle	±3,5 °
Material	Stainless Steel
Process Connection	Thread and flange (customized) G2"
Process Temperature	-20°C to 60°C
Process Pressure	Normal atmospheric pressure
Signal Output	4-20mA / Modbus - RS485/ Bluetooth
Power	Two-wire DC 24V (22V~30V)
Protection	IP68
Weight	74mm X 97mm, Weight 800g

Wiring Code :

Standard with 5m cable length

Red	24V+
Black	4...20mA
Yellow	RS485
White	RS485



Order Guide :

Model	Range	Output
GRS-800-S	10M	A
GRS-800-S	20M	A
GRS-800-S	30M	A